

VC0336 is the highly standardized, latest feature-rich addition to the Vimicro PC camera processor product family. It has been designed small and compact enough to embed into laptops, while utilizing the most update of technologies to offer a vast array of functions for enhancing web camera multimedia experiences. This state-of-the-art design is a versatile solution that makes the creation of high-speed, high-resolution, low-power, low-cost web cams a reality.

Flexible Sensor Interface

VC0336 supports both a parallel sensor interface and LVDS sensor interface, with a programmable sensor master clock output. As this gives a wider choice of sensors, including the traditional CMOS sensors, customers gain more flexibility in selecting different resolutions and footprint sensors. With support for high resolution sensors, VC0336 provides up to 30 fps at 1.3 Mega pixels video capture or 5 Mega pixels still picture capture.

Motion Detection and Face Tracking

Features such as Pan and Tilt, Digital Zoom and Auto Focus along with Vimicro's motion detection and face tracking technologies, enable a camera built with the VC0336 to automatically track motions and focus on a face while within range. Time spent setting and adjusting the web cam can be minimized. VC0336 is not only suitable for surveillance but can also assist virtually distance free communication by seamlessly assisting online interaction.

High Quality Video Streaming

Fully compliant with the increased bandwidth of USB 2.0 High-Speed (HS) protocol while being USB 1.1 compatible, performances of 60 fps at VGA (640 x 480) and 30 fps at SXGA (1280 x 1024) can be achieved. The VC0336 also has an integrated 10-bit Imaging Signal Processor (ISP), built-in JPEG encode engine (requiring no external buffer) and sophisticated error correction technologies to ensure high quality video streaming.

Key Features

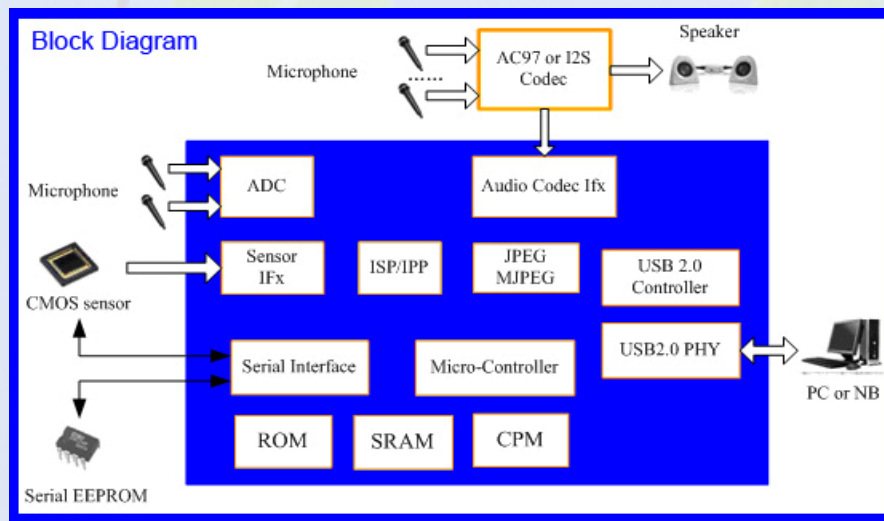
- **Up to 5M pixels CMOS sensor supported**
- **30fps at SXGA, 60fps at VGA**
- **LVDS Sensor Interface**
- **10-bit enhanced ISP/IPP**
- **AC97 Interface**
- **Built-in 2 channels ADC**
- **USB2.0 High Speed**
- **USB1.1 Compatible**

Special Image Effects

The integrated ISP and Image Post-Processing (IPP) engine, allow the manipulation of images and application of special effects such as Monochrome, Sepia, Special Color, Negative, Sketch and Mono Color.

Stereo Voice Recording, Echo Cancellation and Noise Cancellation

VC0336 has integrated 2-channel 16-bit sigma-delta ADCs and interface to external audio codec providing a high quality audio sampling function. These features along with an echo cancellation mechanism make the stereo acoustic abilities of the VC0336 perfect for online chatting and sound recording.



VC0336 is fully compliant with USB HID Class 1.11 standard, USB Video Class 1.1 standards and USB Audio Class 1.0 standard.

For more details, please visit our website <http://www.vimicro.com/> or contact our world wide sales offices.

Vimicro Corporation is a China-based semiconductor company providing chips and solutions that enable multimedia communication and applications. Vimicro is a market leader in imaging processors for PC and mobile devices. Vimicro is now focused on offering next generation multimedia technologies for PC and mobile phones markets. Our latest multimedia processors will combine all the functionalities of both the imaging/video/graphics and sound/audio/music processors, allowing for future applications such as Multimedia Messaging Services ("MMS"), mobile imaging, mobile ring-tone, mobile music, mobile flash, mobile video and mobile games.

Contact Information

Vimicro Corporation
15/F, Shining Tower
35 Xueyuan Road
Beijing 100083, China
Tel:86-10-68948888
Fax:86-10-68944075

Vimicro Corporation – USA
1758 N. Shoreline Blvd.
Mountain View, CA 94043, USA
Tel: 1-650-966-1882
Fax: 1-650-966-1885
<http://www.vimicro.com>